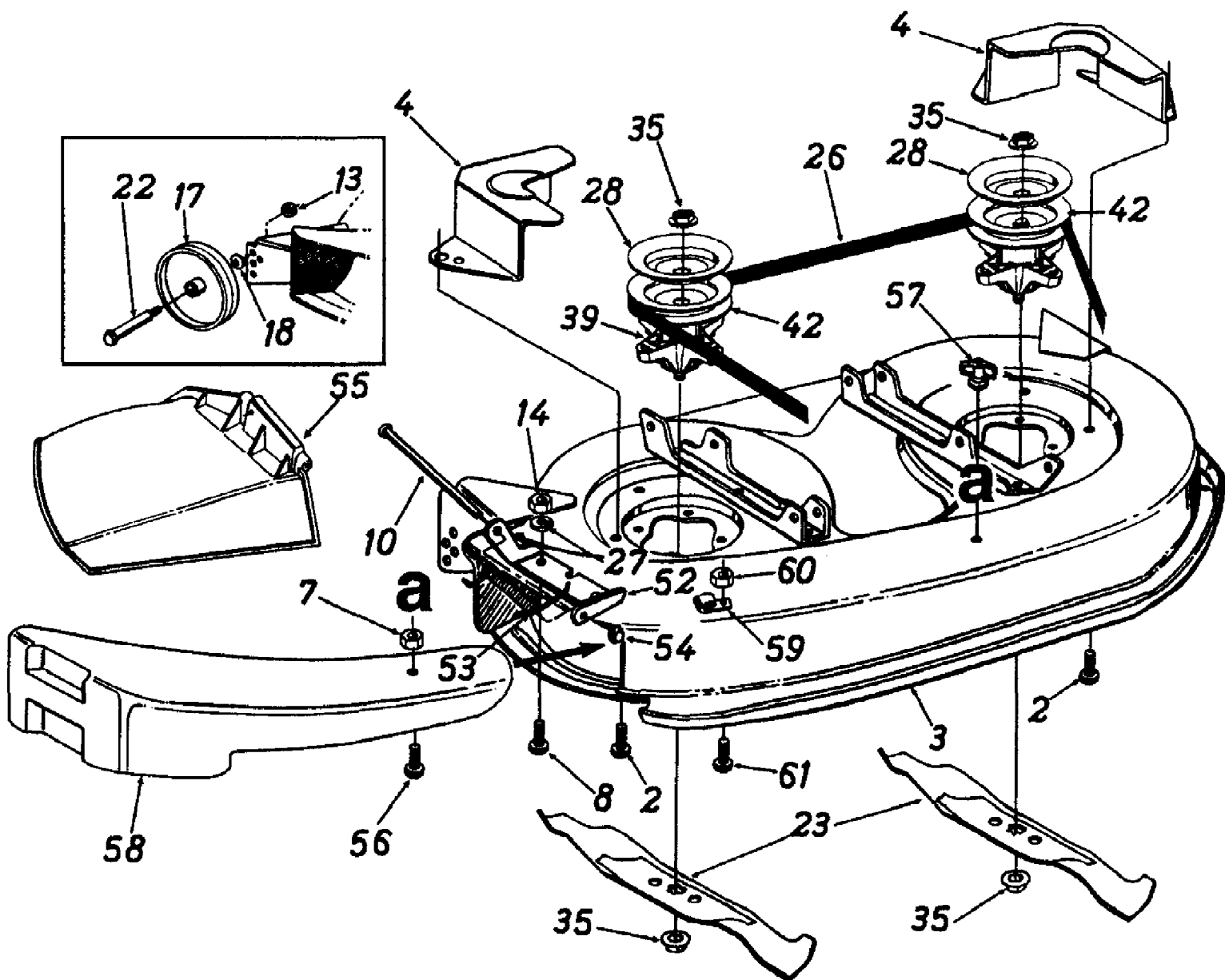


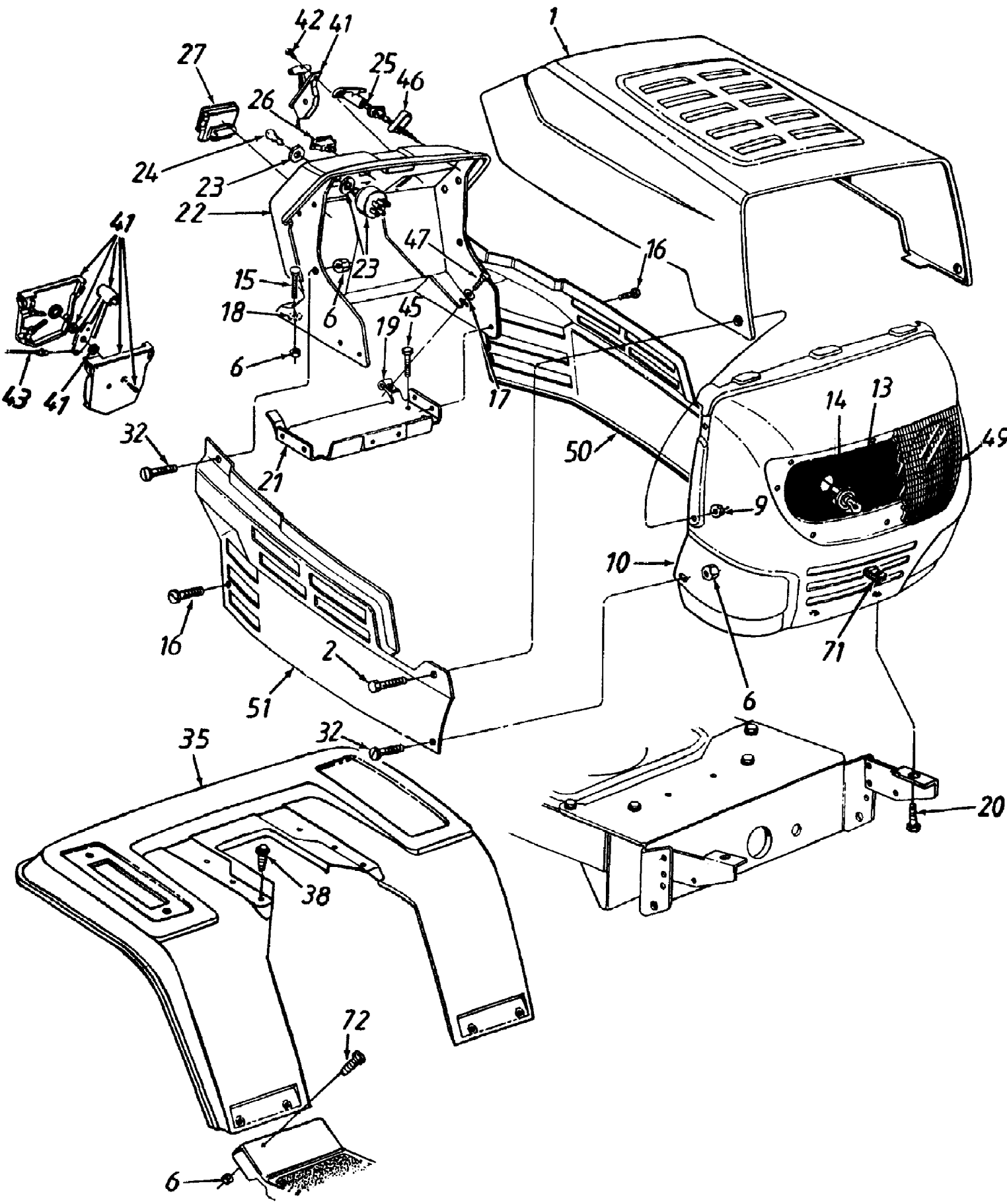
13A5673F190 LT-13 (1997)
38" Mowing Deck



13A5673F190 LT-13 (1997)
38" Mowing Deck

Page 2 of 23

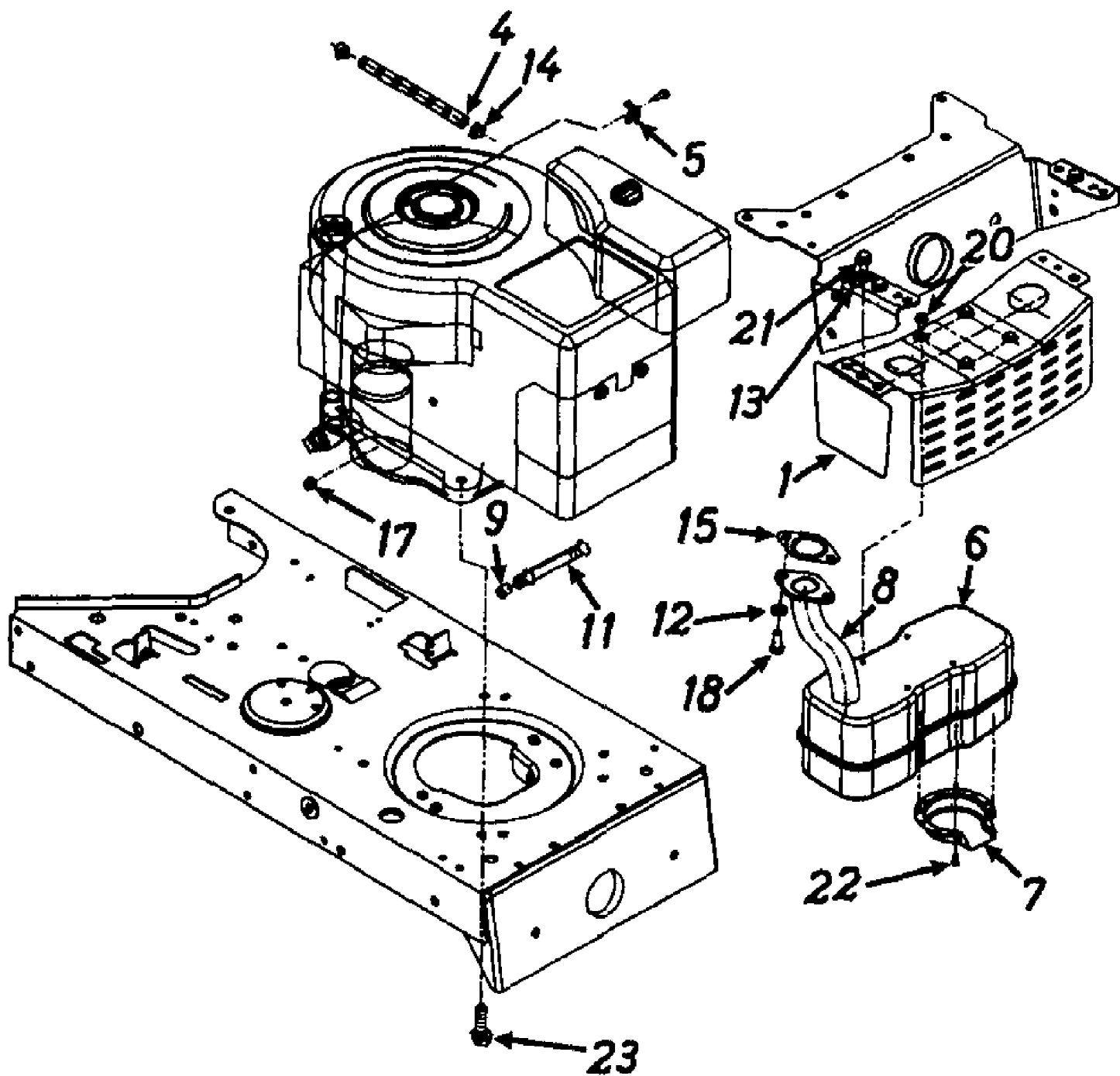
| Ref # | Part Number | Qty | S/P/F | Description |
|-------|-------------|-----|-------|--|
| 2 | 710-1260 | 1 | S | Hex Wash. Hd. TT-Tap Scr. 5/16-18 x .75" Lg. |
| 3 | 683-0129 | 1 | S | 38" Deck Ass'y. |
| | 813-6980 | 1 | S | 38" Deck Ass'y. Comp. (For Service Only) |
| 4 | 783-0343 | 1 | S | Belt Guard Deck |
| 7 | 712-0291 | 1 | S | Hex L-Nut 1/4-20 Thd. Optional Equipment |
| 8 | 710-0258 | 1 | S | Hex Bolt 1/4-20 x .62" |
| 10 | 711-0792 | 1 | S | Hinge Pin |
| 13 | 712-0181 | 1 | S | Hex Top L-Nut 3/8-16 Thd. |
| 14 | 712-3006 | 1 | /P | Hex Nut 1/4-20 Thd. (Gr. 5) |
| 17 | 734-0973 | 1 | /P | Deck Wheel - 5" |
| 18 | 736-0105 | 1 | /P | Bell-Wash. .40" I.D. x .88" O.D. |
| 22 | 738-0373 | 1 | S | Shld. Bolt .498" Dia. x 1.53" |
| 23 | 742-0610 | 1 | S | 3 in 1 Blade |
| 26 | 754-0329A | 1 | S | V-Belt |
| 27 | 736-0270 | 1 | /P | Bell-Wash. 1/4" I.D. |
| 28 | 783-0342 | 1 | S | Brake Disc |
| ?33 | 710-0157 | 1 | /P | Hex Bolt 5/16-24 x .75" Lg. |
| 35 | 712-0417A | 1 | /P/F | Hex Flange Nut 5/8-18 Thd. |
| ?37 | 736-0158 | 1 | S/F | L-Wash. 5/8" I.D. |
| 39 | 618-0138 | 1 | S | Blade Spindle Ass'y. Comp. (Incl. Ref. 28, 35, 42) |
| 42 | 756-0969 | 1 | F | 5" Dia. Pulley |
| 52 | 703-1693 | 1 | S | Hinge Mtg. Brkt. |
| 53 | 732-0602 | 1 | S | Torsion Spring |
| 54 | 726-0106 | 1 | S | Push Nut |
| 55 | 731-1032 | 1 | S | Chute Ass'y. Comp. (Incl. Ref. 10, 52, 53, 54, 55) |
| 56 | 710-0597 | 1 | /P | Hex Bolt 1/4-20 x 1" Lg. Optional Equipment |
| 57 | 712-3087 | 1 | /P | Wing Nut 1/4-20 Thd. |
| 58 | 731-1643 | 1 | S | Mulching Plugs f |
| 59 | 16606 | 1 | S | Retainer Hook Brkt. |
| 60 | 712-0271 | 1 | /P | Hex Sems Nut 1/4-20 Thd. |
| 61 | 710-0258 | 1 | S | Hex Bolt 1/4-20 x .62" Lg. |



13A5673F190 LT-13 (1997)
Hood, Controls and Side Panels

Page 4 of 23

| Ref # | Part Number | Qty | S/P/F | Description |
|-------|----------------|-----|-------|--|
| 1 | 783-0250-0662 | 1 | S | Hood |
| 2 | 738-0924 | 1 | S | Shld. Bolt .375" Dia. x .125" Lg. |
| 6 | 712-0271 | 1 | /P | Hex Sems Nut 1/4-20 Thd. |
| 9 | 712-3027 | 1 | S | Flange L-Nut 1/4-20 Thd. |
| 10 | 783-0156A | 1 | | Grille |
| 13 | 725-0963 | 1 | S | Lamp |
| 14 | 725-1651 | 1 | S | Socket |
| 15 | 710-0703 | 1 | /P | Carriage Bolt 1/4-20 x .75" Lg. |
| 16 | 710-0599 | 1 | /P | Hex Wash. Hd. TT-Tap Scr. 1/4-20 x .5" Lg. |
| 17 | 736-0173 | 1 | /P | Fl-Wash. .281" I.D. x .73" O.D. |
| 18 | 726-0233 | 1 | /P | Bolt Retainer 1/4" I.D. |
| 19 | 712-0185 | 1 | | Speed Nut 1/4-20 |
| 20 | 710-0118 | 1 | S | Hex Bolt 5/16-18 x .75" Lg. |
| 21 | 17632A | 1 | S | Gas Tank Support Brkt. |
| 22 | 731-1096B | 1 | S | Dash w/Ammeter Hole |
| 23 | 725-0267 | 1 | S | Ignition Switch |
| 24 | 725-0201 | 1 | S | Ignition Key |
| 25 | 746-0616A | 1 | S | Choke Control |
| 26 | 725-0634 | 1 | S | Light Switch |
| 27 | 725-0925 | 1 | S | Ammeter |
| 32 | 710-0286 | 1 | /P | Truss Mach. Scr. 1/4-20 x .5" Lg. |
| 35 | 17324B-0648 | 1 | | Fender |
| 38 | 710-0726 | 1 | /P | Hex Wash. Hd. AB-Tap Scr. 5/16 x .75" Lg. |
| 41 | 831-0823A | 1 | /P | Throttle Box Ass'y. |
| 42 | 710-0779A | 1 | /P | Truss Mach. AB-Tap Scr. #10 x .5" Lg. |
| 43 | 746-0776 | 1 | S | Throttle Control Wire |
| 45 | 710-0603 | 1 | /P | Hex Wash. Hd. B-Tap Scr. 5/16-18 x .5" Lg. |
| 46 | 17782 | 1 | | Choke Retainer |
| 47 | 710-0642 | 1 | /P | Hex TT-Tap Scr. 1/4-20 x .75" Lg. |
| 49 | 731-1503A | 1 | S | Lens |
| 49 | 726-04077 | 1 | | Nut, Push 3/32 Not shown |
| 50 | 783-0151-0662 | 1 | S | Side Panel - L.H. |
| 51 | 783-0150A-0662 | 1 | S | Side Panel - R.H. |
| 71 | 726-0211 | 1 | S | U-Nut 5/16-18 Thd. |
| 72 | 710-0286 | 1 | /P | Truss Mach. Scr. 1/4-20 x .5" Lg. |
| | 629-0309 | 1 | S | Headlight Harness Not shown |



13A5673F190 LT-13 (1997)
Muffler And Exhaust

Page 6 of 23

| Ref # | Part Number | Qty | S/P/F | Description |
|-------|-------------|-----|-------|---|
| 1 | 783-0385 | 1 | | Heat Shield Bracket Code: N Notates a new part (not previously existing) |
| ?3 | 783-0320A | 1 | S | Muffler Bracket Code: N Notates a new part (not previously existing) |
| 4 | 751-0535-12 | 1 | S | Fuel Line |
| 5 | 751-0360A | 1 | S | Casing Clamp |
| 6 | 751-0617 | 1 | S | Muffler |
| 7 | 751-0564 | 1 | S | Muffler Deflector |
| 8 | 751-0620 | 1 | S | Exhaust Pipe |
| 9 | 737-0143 | 1 | S | Hex Pipe Cap |
| 11 | 737-0199 | 1 | S | Pipe 3/8 NPT x 3.8" Lg. |
| 12 | 736-0119 | 1 | S/F | L-Wash. 5/16" I.D. |
| 13 | 726-0272 | 1 | /P | Clamp |
| 14 | 726-0205 | 1 | /P | Hose Clamp |
| 15 | 721-0208 | 1 | S | Exhaust Gasket |
| 17 | 712-0271 | 1 | /P | Hex Sems Nut 1/4-20 Thd. Code: N Notates a new part (not previously existing) |
| 18 | 710-1314 | 1 | S | Socket Hd. Bolt 5/16-18 x .62" Lg. |
| ?19 | 710-1237 | 1 | | Hex Wash. Hd. Tap Scr. #10-32 x .62" Lg. |
| 20 | 710-0599 | 1 | /P | Hex Wash. Hd. TT-Scr. 1/4-20 x .5" Lg. |
| 21 | 710-0604 | 1 | S | Hex Wash. Hd. TT-Scr. 5/16-18 x .62" Lg. |
| 22 | 710-0148 | 1 | /P | Hex Bolt #8-32 x .38" Lg. |
| 23 | 710-1315 | 1 | /P | Hex Wash. Hd. TT-Scr. 3/8-16 x 1.25" Lg. |

13A5673F190 LT-13 (1997)
Seat, Frame & Fuel Tank

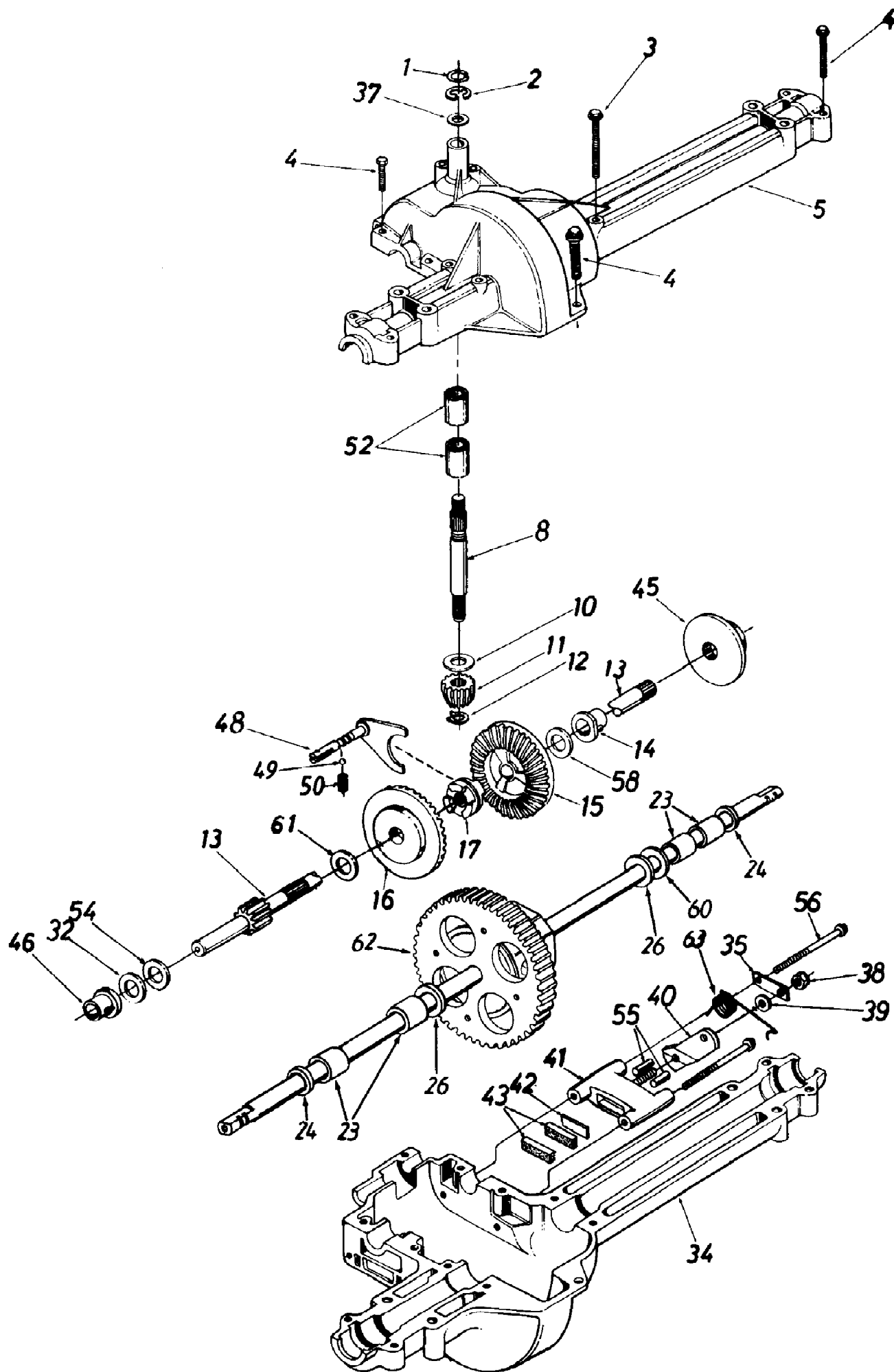
Page 8 of 23

| Ref # | Part Number | Qty | S/P/F | Description |
|-------|-------------|-----|-------|--|
| 2 | 710-1208 | 1 | /P | Hex Wash. Hd. Tap Scr. 5/16-18 x 3.25" Lg. |
| 3 | 738-0155 | 1 | S | Shld. Bolt .437" Dia. x .162" |
| 4 | | 1 | | UNKNOWN |
| 5 | 736-0141 | 1 | S | Spr-Wash. .445" I.D. x .75 |
| 6 | 783-0039A | 1 | /P | Seat Pivot Bracket |
| 7 | 751-0603 | 1 | S | Fuel Cap |
| 8 | 751-0574A | 1 | | Fuel Tank |
| | 749-0934 | 1 | | Fuel Tank Support Rod (Not shown) |
| 9 | 726-0209 | 1 | /P | Tie Strap |
| 10 | 751-0535-15 | 1 | S | Fuel Line |
| 11 | 726-0205 | 1 | /P | Hose Clamp |
| 13 | 712-0287 | 1 | S/F | Hex Nut 1/4-20 Thd. |
| 14 | 736-0329 | 1 | S | L-Wash. 1/4" I.D. |
| 16 | 732-0735 | 1 | /P | Compression Spring |
| 21 | 738-0526 | 1 | | Running Board Rod |
| 22 | 710-0227 | 1 | /P | Hex Hd. AB-Tap Scr. #8 x .50" |
| 23 | 726-0139 | 1 | /P | Speed Nut #102 |
| 24 | 783-0041A | 1 | S | Front Pivot Brkt. |
| 25 | 710-0870 | 1 | /P | Hex Tap Scr. 3/8-16 x .62" Lg. |
| 26 | 710-0726 | 1 | /P | Hex Wash. Md. AB-Tap Scr. 5/16 x .75" Lg. |
| 28 | | 1 | | UNKNOWN |
| 29 | 17770B | 1 | S | Running Board (R.H. & L.H.) |
| 30 | | 1 | | UNKNOWN |
| 32 | 731-0909 | 1 | S | Rubber Foot Pad - L.H. |
| | 731-0910 | 1 | S | Rubber Foot Pad - R.H. |
| 33 | 710-0323 | 1 | /P/F | Truss Mach. Scr. 5/16-18 x .75" Lg. |
| 34 | 783-0310B | 1 | S | Lower Frame Code: N Notates a new part (not previously existing) |
| 35 | 736-0169 | 1 | S | L-Wash. 3/8" I.D. For faster service obtain standard nuts, bolts and washers locally. If these items cannot be obtained locally, order by part number and size as shown on parts list. |
| 36 | 726-0278 | 1 | | Insulator Boss Plate |
| ?37 | 736-0264 | 1 | S | FI-Wash. .344" I.D. x .625" O.D. |
| 38 | 710-0118 | 1 | S/F | Hex Bolt 5/16-18 x .75" Lg. |
| 39 | 783-0042A | 1 | S | Upper Frame - R.H. |
| 41 | 712-0798 | 1 | /P/F | Hex Nut 3/8-16 Thd. |
| 42 | 732-0581B | 1 | S | Extension Spring 5.31" Lg. |
| 44 | 725-1707B | 1 | S | 12-V Battery Code: N Notates a new part (not previously existing) |
| 45 | 783-0043 | 1 | /P | Upper Frame - L.H. |
| 46 | 17286B | 1 | S | Shift Cover |
| ?47 | 725-1643 | 1 | | Reverse Safety Switch |
| 48 | 726-0279 | 1 | | Insulator Plate |
| 49 | 17951 | 1 | S | Seat Pivot Brkt. Support - L.H. |
| 50 | 783-0355 | 1 | S | Hitch Plate |
| 51 | 712-0267 | 1 | S/F | Hex Nut 5/16-18 Thd. |
| 52 | 736-0119 | 1 | S/F | L-Wash. 5/16" I.D. |
| 53 | 17239A | 1 | S | Seat Lift Brkt. |
| 54 | 757-0371 | 1 | S | Seat |
| 55 | 17950 | 1 | S | Seat Pivot Brkt. Support - R.H. |
| 56 | 738-0296 | 1 | S | Hex Bolt 5/16-18 x .268" |

13A5673F190 LT-13 (1997)
Seat, Frame & Fuel Tank

Page 9 of 23

| Ref # | Part Number | Qty | S/P/F | Description |
|-------|-------------|-----|-------|--|
| 57 | 725-1303 | 1 | S | Spring Switch (Seat) |
| ?59 | 710-0650 | 1 | /P | Hex Wash. TT-Tap Scr. 5/16-18 x 7/8" Lg. |
| ?62 | 726-0320 | 1 | S | Insulator Nut Plate |
| 63 | 725-1439 | 1 | | Safety Switch (Seat) |
| 65 | 783-0345 | 1 | S | Battery Tray |
| 66 | 710-0351 | 1 | /P | Truss Mach. B-Tap Scr. #10 x .5" |
| 67 | 748-0347 | 1 | S | Spring Spacer |
| 68 | 710-1221 | 1 | | Pan Hd. Cutting Scr. 5/16-18 x .75" Lg. |
| 69 | 710-0118 | 1 | S/F | Hex Bolt 5/16-18 x .75" Lg. |
| 70 | | 1 | | UNKNOWN |
| 71 | 723-3064 | 1 | | Battery Retainer Strap |
| 72 | 712-3010 | 1 | S | Hex Nut 5/16-18 Thd. (Gr. 5) |
| 73 | 712-0265 | 1 | /P | Hex Sems Nut 5/16-18 Thd. |
| 74 | 712-0271 | 1 | /P | Hex Sems Nut 1/4-20 Thd. |
| ?75 | 749-0934 | 1 | | Gas Tank Support |
| ?76 | 710-1189 | 1 | | Hex Hd. Tap Scr. #12-24 x .62" Lg. |

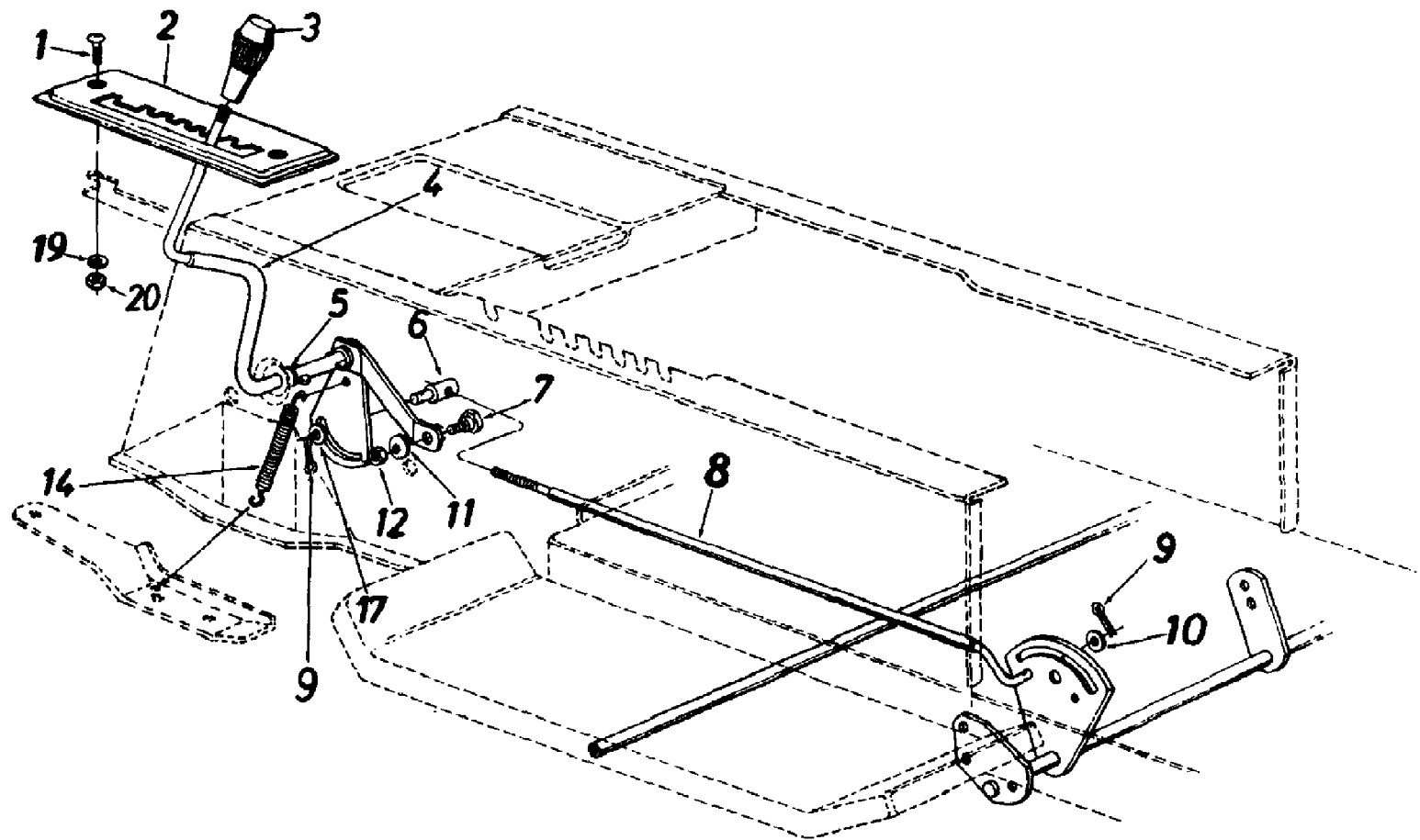


13A5673F190 LT-13 (1997)
Single Speed Transaxle - R.H. 618-0163A

Page 11 of 23

| Ref # | Part Number | Qty | S/P/F | Description |
|-------|-------------|-----|-------|---|
| | 618-0163A | 1 | S | Single Speed Transaxle - R.H. |
| 1 | 732-0614 | 1 | | Wire Ring |
| 2 | 716-0231 | 1 | S | "E" - Ring |
| 3 | 710-1026 | 1 | /P/F | Hex Wash. TT-Tap Scr. 1/4-20 x 1.75" Lg. |
| 4 | 710-0809 | 1 | | Hex Tap Scr. 1/4-20 x 1.25" Lg. |
| 5 | 719-0314 | 1 | S | Upper Housing |
| 8 | 711-0861 | 1 | | Input Shaft |
| 10 | 736-0335 | 1 | S | Thrust Washer 5/8" I.D. x 1.25" O.D. |
| 11 | 717-0633 | 1 | S | Pinion Input 14T |
| 12 | 716-0171 | 1 | S | Retaining Ring |
| 13 | 711-1003 | 1 | S | Drive Shaft - R.H. Brake |
| 14 | 741-0336 | 1 | S/F | Flange Brg. 5/8" I.D. x 3/4" Lg. |
| 15 | 717-1362 | 1 | S | Bevel Gear 42T Small I.D. |
| 16 | 717-1363 | 1 | S | Bevel Gear 42T Large I.D. |
| 17 | 718-0228 | 1 | | Clutch Collar |
| ?21 | 710-0862A | 1 | /P | Pan Head Scr. 1/4-20 x .50" Lg. w/Patch |
| 23 | 741-0340 | 1 | S | Sleeve Bearing 3/4" I.D. x 1.0" Lg. |
| 24 | 721-0338 | 1 | S | Oil Seal 3/4" I.D. |
| 26 | 736-0445 | 1 | S | FI-Wash. .760" I.D. x 1.5" O.D. |
| 32 | 736-0495 | 1 | S | Thrust Wash. 5/8" I.D. x 1" O.D. x .025" Thk. |
| | 736-0336 | 1 | S | FI-Wash. 5/8" I.D. x 1" O.D. x .030" Thk. |
| | 736-0494 | 1 | | Thrust Wash. 5/8" I.D. x 1" O.D. x .035" Thk. |
| | 736-0337 | 1 | S | FI-Wash. 5/8" I.D. x 1" O.D. x .040" Thk. |
| 34 | 719-0313B | 1 | /P | Lower Housing |
| 35 | 718-0150 | 1 | | Anti-Rotation Brkt. |
| 37 | 736-0349 | 1 | S | FI-Wash. 5/8" I.D. x 1" O.D. x .020" Thk. |
| | 736-0336 | 1 | S | FI-Wash. 5/8" I.D. x 1" O.D. x .030" Thk. |
| | 736-0337 | 1 | S | FI-Wash. 5/8" I.D. x 1" O.D. x .040" Thk. |
| 38 | 712-0273 | 1 | S | Hex Nut 5/16-24 Thd. |
| 39 | 736-0371 | 1 | /P | FI-Wash. .344" I.D. x .875" O.D. |
| 40 | 717-0700 | 1 | /P | Actuating Arm |
| 41 | 761-0198 | 1 | S | Brake Yoke |
| 42 | 717-0682 | 1 | S | Puck Plate |
| 43 | 717-0678 | 1 | S | Brake Puck |
| 45 | 761-0202 | 1 | | Brake Disc |
| 46 | 741-0337 | 1 | S | Flange Bearing 5/8" I.D. x 15/16" Lg. |
| 48 | 611-0011 | 1 | S | Shift Fork Ass'y. |
| 49 | 741-0862 | 1 | /P | Ball Detent .250" Dia. |
| 50 | 732-0863 | 1 | S | Spring Detent |
| 52 | 741-0335 | 1 | S | Needle Brg. 5/8" I.D. x 1/2" Lg. |
| 54 | 736-0349 | 1 | S | FI-Wash. 5/8" I.D. x 1" O.D. x .020" Thk. |
| 55 | 741-0343 | 1 | S | Actuating Pin 5/16" Dia. |
| 56 | 710-1206 | 1 | /P | Hex Wash Hd. Self-Tap Scr. 1/4-20 Thd. |
| 58 | 736-0349 | 1 | S | FI-Wash. 5/8" I.D. x 1" O.D. x .020" Thk. |
| | 736-0495 | 1 | S | Thrust Wash. 5/8" I.D. x 1" O.D. x .025" Thk. |
| 60 | 736-0492 | 1 | S | FI-Wash. .76" I.D. x 1.5" O.D. x .010" Thk. |
| | 736-0493 | 1 | S | FI-Wash. .76" I.D. x 1.5" O.D. x .020" Thk. |
| | 736-0351 | 1 | S | FI-Wash. .76" I.D. x 1.5" O.D. x .030" Thk. |
| | 736-0445 | 1 | S | FI-Wash. .76" I.D. x 1.5" O.D. x .060" Thk. |
| 61 | 736-0519 | 1 | S | Thrust Washer |
| 62 | 618-0162 | 1 | S | Differential Ass'y. |
| 63 | 732-0742 | 1 | S | R.H. Brake Spring |
| | 737-0148 | 1 | S | Grease - Shell (15 oz.) |

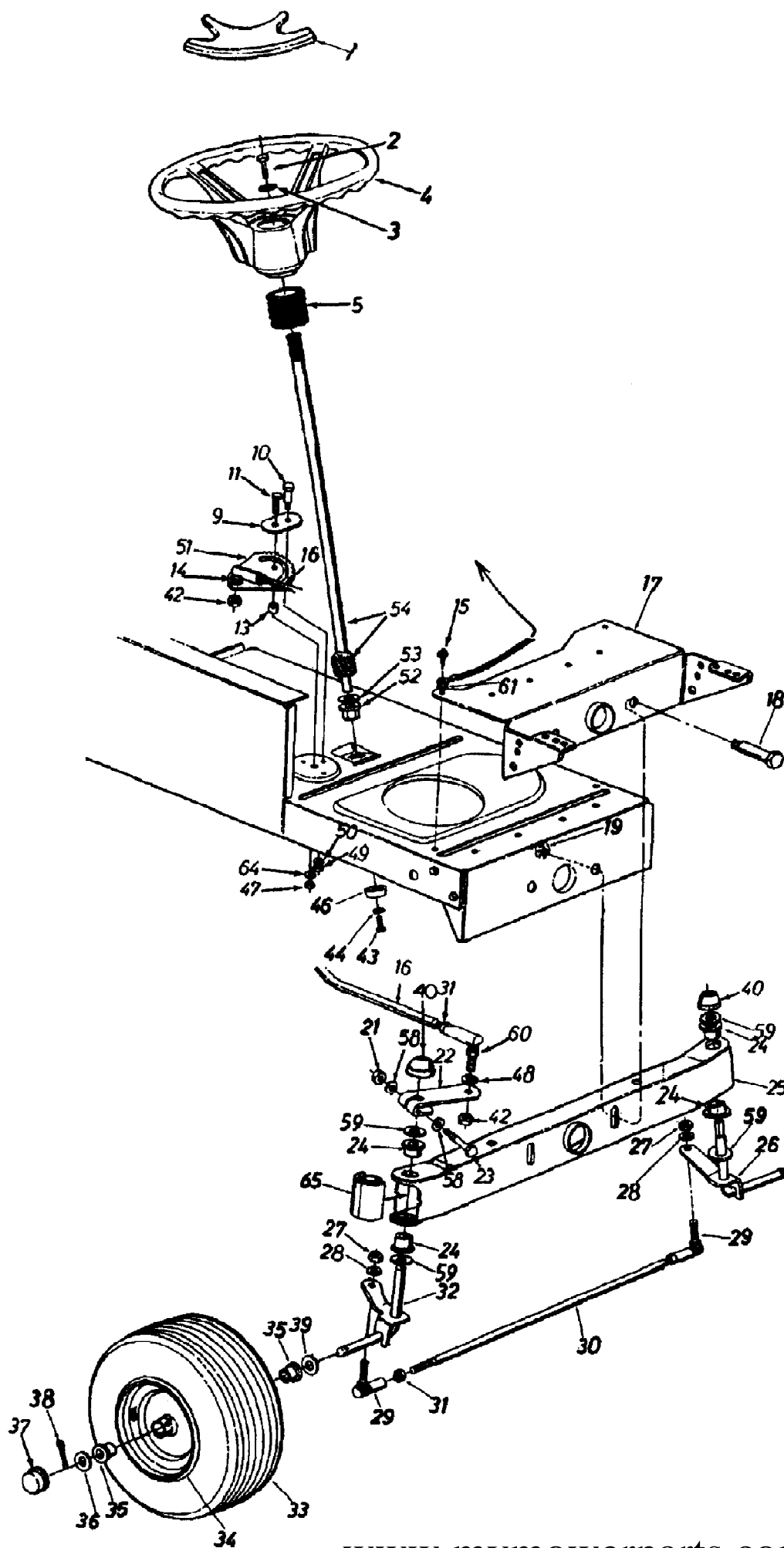
13A5673F190 LT-13 (1997)
Speed Control



13A5673F190 LT-13 (1997)
Speed Control

Page 13 of 23

| Ref # | Part Number | Qty | S/P/F | Description |
|-------|-------------|-----|-------|------------------------------------|
| 1 | 710-0924 | 1 | /P | Truss Mach. Scr. 1/4-20 x .75" Lg. |
| 2 | 16194 | 1 | S | 7-Speed Selector Plate |
| 3 | 720-0218 | 1 | /P | Shift Knob |
| 4 | 16192A | 1 | /P | Speed Selector Lever Ass'y, |
| 5 | 736-0192 | 1 | S | Flat Washer .53" I.D. x .93" |
| 6 | 711-0198 | 1 | S | Ferrule 3/8-24 x .37" Dia. |
| 7 | 738-0155 | 1 | S | Shoulder Bolt |
| 8 | 747-0503A | 1 | | Speed Control Link |
| 9 | 714-0111 | 1 | S/F | Cotter Pin 3/32" Dia. x 1.0" |
| 10 | 736-0226 | 1 | S | FI-Wash. .469" I.D. x .88" |
| 11 | 736-0119 | 1 | S/F | L-Wash. 5/16" I.D. |
| 12 | 712-3010 | 1 | S | Hex Nut 5/16-18 Thd. (Gr. 5) |
| 14 | 732-0303 | 1 | S | Spring .38" O.D. x 3.18" Lg. |
| 17 | 736-0140 | 1 | S | FI-Wash. .385" I.D. x .62" |
| 19 | 736-0329 | 1 | S/F | L-Wash. 1/4" I.D. |
| 20 | 712-3006 | 1 | /P | Hex Nut 1/4-20 Thd. (Gr. 5) |



13A5673F190 LT-13 (1997)
Steering & Front Wheels

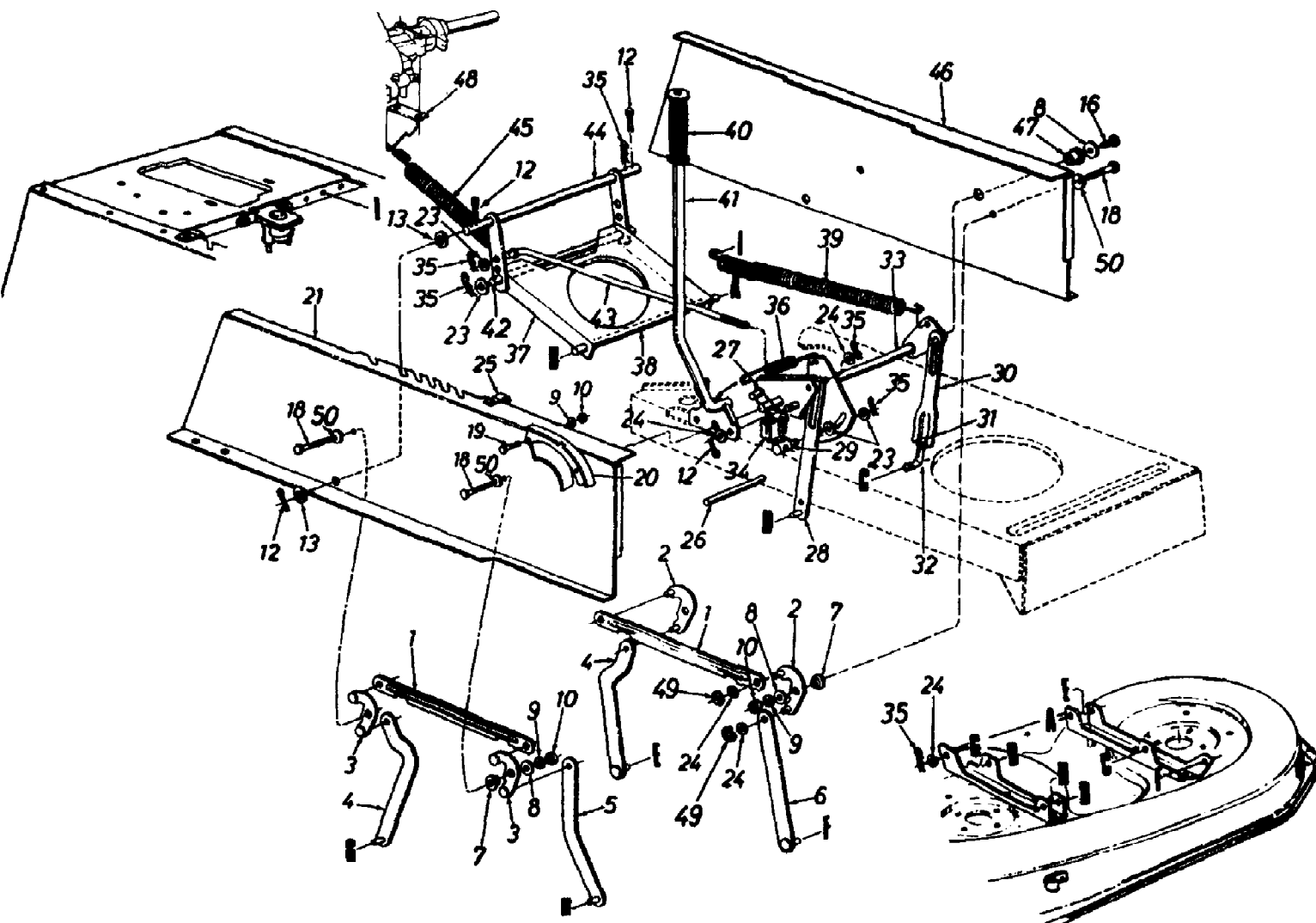
Page 15 of 23

| Ref # | Part Number | Qty | S/P/F | Description |
|-------|-------------|-----|-------|--|
| 1 | 731-1509A | 1 | /P | Steering Wheel Cap |
| 2 | 710-0643 | 1 | /P | Hex Bolt 5/16-18 x 1" Lg. |
| 3 | 736-0242 | 1 | /P | Belleville Wash. .345" I.D. |
| 4 | 731-1686 | 1 | S | Steering Wheel |
| 5 | 731-0954 | 1 | S | Steering Bellow - 9" |
| 9 | 17198A | 1 | S | Retainer Plate |
| 10 | 738-0141 | 1 | S | Shoulder Bolt .437" Dia. x .35 Lg. 5/16-18 Thd. |
| 11 | 710-0152 | 1 | S | Hex Bolt 3/8-24 x 1.0" Lg. (Gr. 5) |
| 13 | 750-0535 | 1 | S | Spacer .380" I.D. x .625" O.D. x .227 |
| 14 | 736-0217 | 1 | S | L-Wash. 3/8" I.D. (H.D.) |
| 15 | 710-0726 | 1 | /P | Hex Wash. Hd. Self-Tap Scr. |
| 16 | 711-1107 | 1 | S | Steering Drag Link |
| 17 | 783-0041A | 1 | S | Front Pivot Brkt. |
| 18 | 738-0527 | 1 | S | Shoulder Bolt .498" Dia. x 2.04 Lg. 3/8-16 Thd. |
| 19 | 712-0431 | 1 | S/F | Flanged L-Nut 3/8-16 Thd. |
| 21 | 712-0411 | 1 | S | Hex L-Nut 5/16-24 Thd. |
| 22 | 16481A | 1 | S | Steering Arm Front Axle |
| 23 | 710-0772 | 1 | /P | Hex Bolt 5/16-24 x 2.00" Lg. (Gr.5) |
| 24 | 741-0659 | 1 | S | Hex Flg. Brg. .632 I.D. |
| 25 | 683-0128 | 1 | S | Pivot Bar Ass'y. |
| 26 | | 1 | | Front Axle Ass'y.- L.H. |
| 27 | 712-0241 | 1 | /P/F | Hex Nut 3/8-24 Thd. |
| 28 | 736-0169 | 1 | S/F | L-Wash. 3/8" I.D. |
| 29 | 723-3018 | 1 | S | Ball Joint 3/8-24 Thd. |
| 30 | 747-0753 | 1 | | Tie Rod (Adjustable) |
| 31 | 712-0711 | 1 | /P/F | Hex Jam Nut 3/8-24 Thd. |
| 32 | | 1 | | Front Axle Ass'y.- R.H. |
| 33 | 634-0059 | 1 | | Wheel Ass'y. Comp. |
| 34 | 634-0051 | 1 | S | Front Wheel Rim Only |
| 35 | 741-0487A | 1 | S | Bearing |
| 36 | 736-0285 | 1 | /P | FI-Wash. .635 I.D. x 1.59" O.D. |
| 37 | 731-0484A | 1 | S | Front Wheel Hub Cap |
| 38 | 714-0470 | 1 | S/F | Cotter Pin 1/8" Dia. x 1.25" |
| 39 | 736-0531 | 1 | S | FI-Wash. .640" I.D. x 1.24" O.D. |
| 40 | 726-0214 | 1 | /P | Push Cap 5/8" Dia. Rod |
| 42 | 712-0262 | 1 | /P | Hex Jam Nut 3/8-24 Thd. |
| 43 | 710-1309 | 1 | /P/F | Hex Patch Bolt 5/16-18 x .62" |
| 44 | 736-0119 | 1 | S/F | L-Wash. 5/16" I.D. |
| ?45 | 736-0343 | 1 | /P | FI-Wash. .33" I.D. x 1.25" O.D. |
| 46 | 748-0389 | 1 | S | Cap |
| 47 | 712-0214 | 1 | S | Hex Cent. L-Nut 3/8-24 Thd. |
| 48 | 736-0169 | 1 | S/F | L-Wash. 3/8" I.D. |
| 49 | 712-0249 | 1 | S | Hex Cent. L-Nut 5/16-18 Thd. |
| 50 | 736-0119 | 1 | S/F | L-Wash. 5/16" I.D. |
| 51 | 717-0622A | 1 | S | Steering Gear Segment |
| 52 | 741-0656 | 1 | S | Hex Flg. Brg. .634 I.D. |
| 53 | 736-0187 | 1 | /P | FI-Wash. (Hardened) |
| 54 | 738-0919 | 1 | S | Steering Shaft |
| ?57 | 710-0837 | 1 | | Oval Hd. Cr.- Sunk Scr. #10 x 5/8" Lg. (Style 8) |
| 58 | 736-0271 | 1 | S | Wave-Wash. .32" I.D. x .62" O.D. |
| 59 | 736-0187 | 1 | /P | FI-Wash. (Hardened) |
| 60 | 723-0448 | 1 | S | Drag Link Ball Joint 3/8-24 Thd. |
| 61 | 736-0607 | 1 | /P | Ext. L-Wash. 5/16" I.D. |

13A5673F190 LT-13 (1997)
Steering & Front Wheels

Page 16 of 23

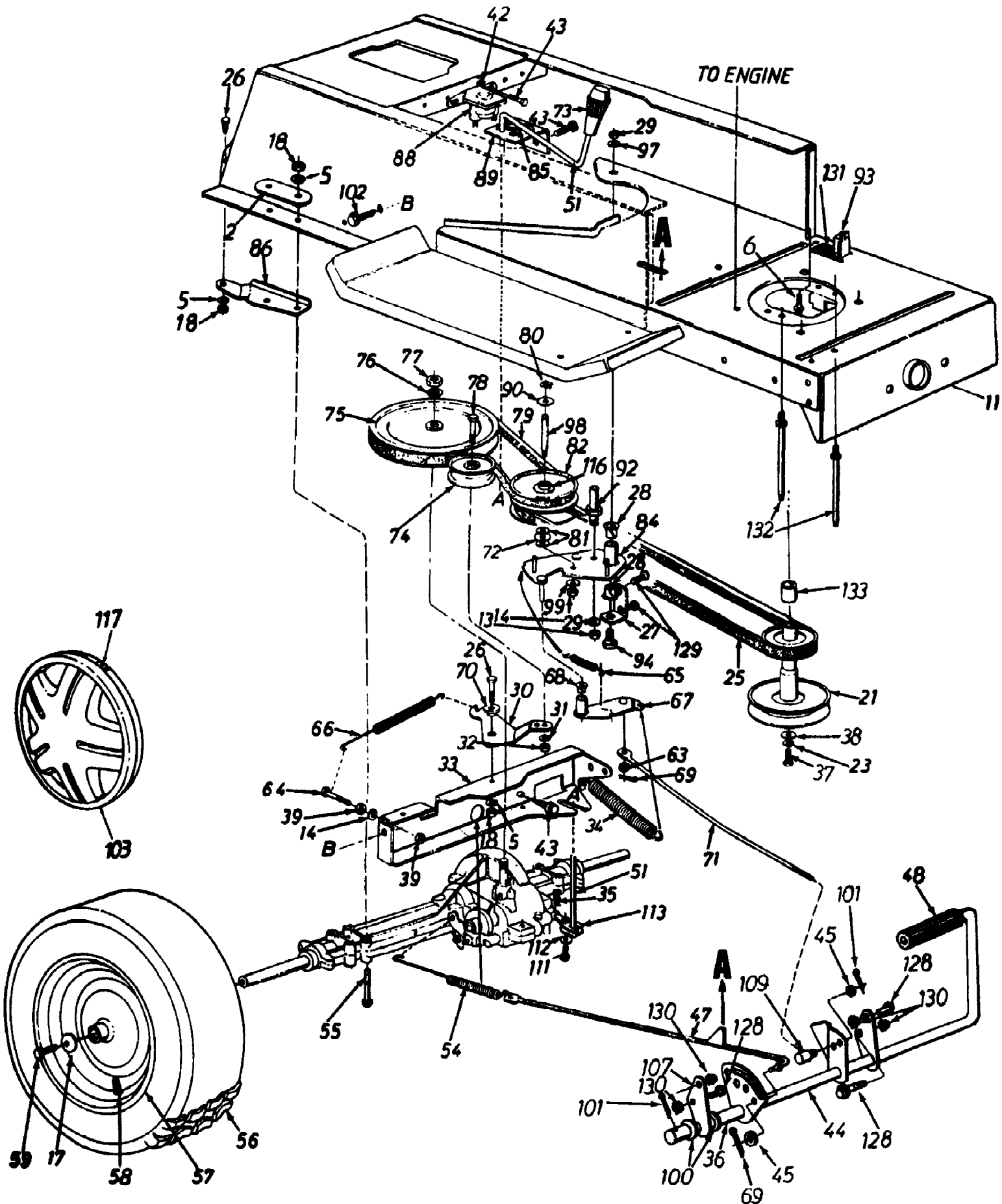
| Ref # | Part Number | Qty | S/P/F | Description |
|-------|-------------|-----|-------|---|
| 64 | 736-0356 | 1 | S | Bell-Wash. .39" I.D. x 1.38" O.D. |
| 65 | 731-1291A | 1 | S | Pivot Bar End Cap (Optional) Code: N Notates a new part (not previously existing) |
| ?66 | 710-0459 | 1 | S | Hex Bolt 3/8-24 x 1.5" Lg. (Gr. 5) |



13A5673F190 LT-13 (1997)
Upper Frame & Lift Shaft Ass'y

Page 18 of 23

| Ref # | Part Number | Qty | S/P/F | Description |
|-------|-------------|-----|-------|--|
| 1 | 783-0103 | 1 | S | Connecting Rod |
| 2 | 683-0029A | 1 | S | Pivot Link Ass'y.- L.H. |
| 3 | 683-0028A | 1 | | Pivot Link Ass'y.- R.H. |
| 4 | 17710 | 1 | S | Deck Hanger Link Ass'y. |
| 5 | 14800A | 1 | S | Deck Hanger Link Ass'y. |
| 6 | 14804A | 1 | | Deck Hanger Link Ass'y. |
| 7 | 748-0331 | 1 | S | Shld. Spacer .318" I.D. |
| 8 | 736-0264 | 1 | S | FI-Wash. .344" I.D. x .62" O.D. |
| 9 | 736-0119 | 1 | S/F | L-Wash. 5/16" I.D. |
| 10 | 712-3010 | 1 | S | Hex Nut 5/16-18 Thd. (Gr. 5) |
| 12 | 714-0470 | 1 | S | Cotter Pin 1/8" Dia. |
| 13 | 736-0256 | 1 | S | FI-Wash. .635" I.D. x 1.0" O.D. |
| 16 | 710-0604 | 1 | S | Hex Wash. TT-Tap Scr. 5/16-18 x .75" Lg. |
| 18 | 710-1238 | 1 | /P | Hex Wash. Hd. Scr. 5/16-18 x .875" Lg. |
| 19 | 710-0118 | 1 | S | Hex Bolt 5/16-18 x .75" Lg. |
| 20 | 783-0118 | 1 | | Index Brkt. |
| 21 | 783-0042A | 1 | S | Upper Frame - R.H. |
| 23 | 736-0267 | 1 | S | FI-Wash. .385" I.D. x .87" O.D. |
| 24 | 736-0160 | 1 | S | FI-Wash. .531" I.D. x .93" O.D. |
| 25 | 726-0272 | 1 | /P | Clamp |
| 26 | 738-0526 | 1 | | Running Board Rod |
| 27 | 710-3007 | 1 | /P | Hex Wash. Hd. Tap Scr. |
| 28 | 14802A | 1 | S | Link Deck Lift Ass'y. |
| 29 | 711-0723A | 1 | S | Adj. Ferrule 3/8-24 Thd. |
| 30 | 17712 | 1 | S | Adj. Deck Lift Link |
| 31 | 712-3066 | 1 | S | Hex Nut 1/2-20 Thd. (Gr. 5) |
| 32 | 711-0841 | 1 | S | Lift Link Adjuster |
| 33 | 683-0059 | 1 | S | Lift Shaft Ass'y. |
| 34 | 725-1657 | 1 | S | Safety Switch (Deck) |
| 35 | 714-0145 | 1 | S | Inter. Cotter Pin 3/8" Dia. |
| 36 | 732-0637 | 1 | S | Extension Spring |
| 37 | 17636B | 1 | S | Stabilizer Bracket |
| 38 | 738-0670 | 1 | S | Shaft 1/2" Dia. x 10.28" Lg. |
| 39 | 732-0638 | 1 | | Extension Spring |
| 40 | 720-0233 | 1 | S | Grip (Lift Handle) |
| 41 | 97675A | 1 | S | Deck Lift Handle Ass'y. |
| 42 | 738-0669 | 1 | | Shaft 3/8" Dia. x 9.34" Lg. |
| 43 | 747-0598 | 1 | | Disengagement Rod |
| 44 | 97624 | 1 | S | Stabilizer Shaft Ass'y. |
| 45 | 732-0556 | 1 | S | Extension Spring 7.58" Lg. |
| 46 | 783-0043 | 1 | /P | Upper Frame - L.H. |
| 47 | 741-0313 | 1 | S | Flange Brg. .632" I.D. |
| 48 | 17128A | 1 | S | Spring Retainer Brkt. |
| 49 | 716-0104 | 1 | S | "E"-Ring |
| 50 | 736-0425 | 1 | S | Bell-Wash. .325" I.D. |



13A5673F190 LT-13 (1997)
Wheel Ass'y & Controls

Page 20 of 23

| Ref # | Part Number | Qty | S/P/F | Description |
|-------|-------------|-----|-------|--|
| 2 | 17840 | 1 | S | Transaxle Mtg. Brkt. |
| 5 | 736-0119 | 1 | S/F | L-Wash. 5/16" I.D. |
| 6 | | 1 | | UNKNOWN |
| 11 | 783-0310 | 1 | S | Lower Frame Ass'y. Code: N Notates a new part (not previously existing) |
| 13 | 712-0287 | 1 | S/F | Hex Nut 1/4-20 Thd. |
| 14 | 736-0329 | 1 | S/F | L-Wash. 1/4" I.D. |
| 17 | 736-0242 | 1 | /P | Bell-Wash. .345" I.D. x .88" |
| 18 | 712-0267 | 1 | S/F | Hex Nut 5/16-18 Thd. |
| 21 | 756-0982 | 1 | S | Engine Pulley Code: N Notates a new part (not previously existing) |
| 23 | 736-0171 | 1 | S/F | L-Wash. 7/16" I.D. |
| 25 | 754-0280 | 1 | S | Variable-Speed Belt |
| 26 | 710-0118 | 1 | S | Hex Bolt 5/16-18 x .75" Lg. |
| 27 | 17963 | 1 | | Bearing Shaft Bracket Ass'y. |
| 28 | 741-0591 | 1 | S | Flanged Nyliner Brg. 5/8" I.D. x .88" Lg. |
| 29 | 712-0241 | 1 | /P/F | Hex Nut 3/8-24 Thd. |
| 30 | 17694 | 1 | S | Idler Bracket |
| 31 | 736-0169 | 1 | S/F | L-Wash. 3/8" I.D. |
| 32 | 712-0241 | 1 | /P/F | Hex Nut 3/8-24 Thd. |
| 33 | 17629A | 1 | S | Transaxle Support Brkt. |
| 34 | 732-0556 | 1 | S | Ext. Spring .94" O.D. x 7.58" |
| 35 | 714-0149B | 1 | S | Inter. Cotter Pin |
| 36 | 750-0802 | 1 | | Spacer .63" I.D. |
| 37 | 710-0757 | 1 | /P | Hex Bolt 7/16-20 x 1.5" Lg. |
| 38 | 738-0785 | 1 | S | Shld. Spacer .445" I.D. |
| 39 | 712-0138 | 1 | S | Hex Nut 1/4-28 Thd. |
| ?40 | 710-0776 | 1 | S | Hex AB-Tap Scr. 1/4" x .62" Lg. |
| ?41 | 711-0747 | 1 | S | Belt Guard Pin |
| 42 | 736-0222 | 1 | S | Ext. L-Wash. 1/4" I.D. |
| 43 | 710-0599 | 1 | /P | Hex Wash. Hd. S-Tap Scr. 1/4-20 x .50" Lg. |
| 44 | 683-0123 | 1 | | Clutch/Brake Pedal Ass'y. Code: N Notates a new part (not previously existing) |
| 45 | 736-0140 | 1 | S | FI-Wash. .344" I.D. x .62" |
| 47 | 747-0755A | 1 | | Brake Rod Ass'y. Code: N Notates a new part (not previously existing) |
| 48 | 735-0196 | 1 | S | Foot Pad |
| 51 | 17705 | 1 | /P | Shift Lever Ass'y. |
| ?53 | 732-0264 | 1 | S | Ext. Spring .38" O.D. x 2.5" |
| 54 | 732-0642 | 1 | S | Ext. Spring 7.33" Lg. |
| 55 | 710-1266 | 1 | /P | Hex Bolt 5/16-18 x 3.5" Lg. |
| 56 | 734-1675 | 1 | | Wheel Ass'y. Comp. |
| | 734-1596 | 1 | | Tire Only |
| 57 | 634-0070 | 1 | /P | Wheel Rim Only |
| 58 | 734-0255 | 1 | S | Air Valve (Service Only) |
| 59 | 710-0627 | 1 | /P/F | Hex Bolt 5/16-24 x .75" Lg. |
| ?61 | 732-0722 | 1 | S | Brake Return Spring Anchor |
| 63 | 736-0275 | 1 | S | FI-Wash. .34" I.D. x .68" O.D. |
| 64 | 710-0428 | 1 | F | Hex Bolt 1/4-28 x 1.25" Lg. |
| 65 | 732-0568 | 1 | S | Ext. Spring |
| 66 | 732-0384 | 1 | S | Ext. Spring .62" O.D. x 6.12" |

13A5673F190 LT-13 (1997)
Wheel Ass'y & Controls

Page 21 of 23

| Ref # | Part Number | Qty | S/P/F | Description |
|-------|-------------|----------|-------|---|
| 67 | 16554A | 1 | S | Variable Speed Torque Brkt. Ass'y. |
| 68 | 741-0419 | 1 | | Flanged Bearing |
| 69 | 714-0111 | 1 | S/F | Cotter Pin 3/32" Dia. |
| 70 | 748-0234 | 1 | /P | Shoulder Spacer .27" Lg. |
| 71 | 747-0530A | 1 | /P | Speed Control Link |
| 72 | 741-0405 | 1 | S | Truss Bearing .56 Dia. x 1.25" |
| 73 | 720-0232 | 1 | S | Shift Knob |
| 74 | 756-0437 | 1 | S | FI-Idler Pulley 3.25" x .75" |
| 75 | 656-0005 | 1 | | "V" Pulley |
| 76 | 736-0427 | 1 | S | Bell-Wash. .56" I.D. x 1.125" |
| 77 | 712-3035 | 1 | /P | Hex Jam Nut 5/16-18 Thd. |
| 78 | 710-0539 | 1 | /P | Hex Bolt 3/8-24 x 1.75" Lg. |
| 79 | 754-0370 | 1 | S | Variable Speed Belt |
| 80 | 716-0114 | 1 | S | Snap Ring .56" Dia. |
| 81 | 736-0355 | 1 | /P | FI-Wash. |
| 82 | 717-0800A | 1 | S | Variable Speed Pulley Ass'y. 5" O.D. |
| 84 | 16354B | 1 | S | Variable Speed Brkt. Ass'y. |
| 85 | 732-0525 | 1 | | Comp. Spring - Clip |
| 86 | 17668 | 1 | S | Axle Support Brkt.- R.H. |
| | 17669 | 1 | S | Axle Support Brkt.- L.H. (Not shown) |
| 88 | 725-1426 | 1 | S | Solenoid |
| 89 | 17630 | 1 | S | Shift Lever Bracket |
| 90 | 736-0414 | 1 | S | Teflon Washer .565" I.D. |
| 92 | 711-1000 | 1 | S | Belt Keeper 3" Lg. |
| 93 | 725-1657A | 1 | S | Safety Switch (Clutch) Code: N Notates a new part (not previously existing) |
| 94 | 738-0755 | 1 | S | Shld. Bolt 3/8-24 x 3.12" Lg. |
| 97 | 736-0105 | 1 | /P | Bell-Wash. .38" I.D. x .88" |
| 98 | 738-0569 | 1 | S | Shaft .56" Dia. x 3.875" Lg. |
| 99 | 736-0331 | 1 | /P | Bell-Wash. .39" I.D. x 1.12" |
| 100 | 736-0256 | 1 | S | FI-Wash. .64" I.D. x .94" |
| 101 | 714-0470 | 1 | S | Cotter Pin 1/8" Dia. x 1.25" |
| 102 | 710-0604 | 1 | S | Hex Wash. Hd. Scr. 5/16-18 x .62" Lg. |
| 103 | 734-1784 | 1 | S | Hub Cap |
| 107 | 17860 | 1 | S | Pedal Bracket |
| 109 | 711-0198 | 1 | S | Ferrule |
| 111 | 710-0195 | 1 | S | Hex Bolt 1/4-28 x .50" Lg. |
| 112 | 736-0270 | 1 | /P | Bell-Wash. .265" I.D. x .75" |
| 113 | 17707 | 1 | | Shift Lever Link Ass'y. |
| ?115 | 736-0140 | 1 | S | FI-Wash. .385" I.D. x .62" |
| 116 | 741-0404 | 2 Req'd. | S | Needle Brgs. |
| 117 | 727-0425A | 1 | S | Spring Clip (Used w/Ref. No. 103) |
| ?119 | 710-0427 | 1 | S | Hex Bolt 3/8-16 x 1.25" Lg. |
| ?120 | 756-0217 | 1 | S | FI-Idler w/Flanges 2.75" O.D. |
| ?121 | 736-0280 | 1 | | FI-Wash. .39" I.D. x 1.12" O.D. |
| ?122 | 712-0798 | 1 | /P | Hex Nut 3/8-16 Thd. |
| 128 | 710-0650 | 1 | /P | Hex Wash. TT-Tap Scr. 5/16-18 x .75" Lg. |
| 129 | 710-0726 | 1 | /P | Hex Wash. AB-Tap Scr. 5/16-18 x .75" Lg. |
| 130 | 712-0265 | 1 | /P | Hex Sems Nut 5/16-18 Thd. |
| 131 | 732-0750A | 1 | S | Spring Switch Code: N Notates a new part (not previously existing) |
| 132 | 711-1044 | 1 | S | Belt Guard Pin |

13A5673F190 LT-13 (1997)
Wheel Ass'y & Controls

| Ref # | Part Number | Qty | S/P/F | Description |
|-------|-------------|-----|-------|-------------|
| 133 | 750-0956 | 1 | | Spacer |

